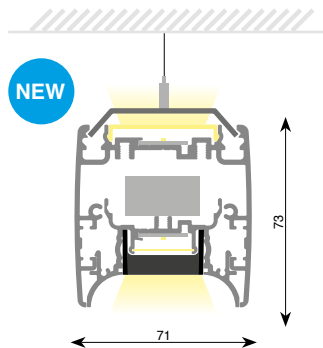


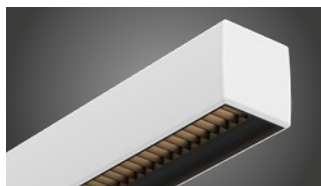
Ready To Go LEDliner70

UGR<19

Up&Down - Suspended
Double Circuit



Average weight of equipped profile: 4.3 kg/m



!!! Important notice regarding
Double Circuit dimming on page 342.

Included

- Profile
- End Caps
- LED Modules
- UGR Grid Down
- Opal cover up
- Standard Suspension (2000mm)
- Connecting box
- Textile power cable (2000mm)



Article number	Total length	Connected profile lengths excl. end caps	LED Flux* 927	LED Flux* 830 & 930	LED Flux* 840 & 940	LED Flux* Tunable White 2700-6500K	Power** 830 & 840	Power** 927, 930 & 940
R70S2.DM.CCC.xx-05.G	740 mm	-	n.a.***	2x3120lm	2x3300lm	n.a.***	2x15.0W	2x15.5W
R70S2.DM.CCC.xx-06.G	879 mm	-	2x3015lm	2x3120lm	2x3300lm	2x3300lm	2x18.0W	2x18.6W
R70S2.DM.CCC.xx-07.G	1021 mm	-	n.a.***	2x3640lm	2x3850lm	n.a.***	2x21.0W	2x21.7W
R70S2.DM.CCC.xx-08.G	1159 mm	-	2x4020lm	2x4160lm	2x4400lm	2x4400lm	2x24.0W	2x24.8W
R70S2.DM.CCC.xx-09.G	1301 mm	-	n.a.***	2x4680lm	2x4950lm	n.a.***	2x27.0W	2x27.9W
R70S2.DM.CCC.xx-10.G	1441 mm	-	2x5025lm	2x5200lm	2x5500lm	2x5500lm	2x30.0W	2x31.0W
R70S2.DM.CCC.xx-11.G	1583 mm	-	n.a.***	2x5720lm	2x6050lm	n.a.***	2x33.0W	2x34.1W
R70S2.DM.CCC.xx-12.G	1721 mm	-	2x6030lm	2x6240lm	2x6600lm	2x6600lm	2x36.0W	2x37.2W
R70S2.DM.CCC.xx-13.G	1863 mm	-	n.a.***	2x6760lm	2x7150lm	n.a.***	2x39.0W	2x40.3W
R70S2.DM.CCC.xx-14.G	2002 mm	-	2x7035lm	2x7280lm	2x7700lm	2x7700lm	2x42.0W	2x43.4W
R70S2.DM.CCC.xx-15.G	2144 mm	-	n.a.***	2x7800lm	2x8250lm	n.a.***	2x45.0W	2x46.5W
R70S2.DM.CCC.xx-16.G	2282 mm	-	2x8040lm	2x8320lm	2x8800lm	2x8800lm	2x48.0W	2x49.6W
R70S2.DM.CCC.xx-17.G	2424 mm	-	n.a.***	2x8840lm	2x9350lm	n.a.***	2x51.0W	2x52.7W
R70S2.DM.CCC.xx-18.G	2564 mm	-	2x9045lm	2x9360lm	2x9900lm	2x9900lm	2x54.0W	2x55.8W
R70S2.DM.CCC.xx-19.G	2706 mm	-	n.a.***	2x9880lm	2x10450lm	n.a.***	2x57.0W	2x58.9W
R70S2.DM.CCC.xx-20.G	2844 mm	-	2x10050lm	2x10400lm	2x11000lm	2x11000lm	2x60.0W	2x62.0W
R70S2.DM.CCC.xx-21.G	2986 mm	-	n.a.***	2x10920lm	2x11550lm	n.a.***	2x63.0W	2x65.1W
R70S2.DM.CCC.xx-22.G	3125 mm	-	2x11055lm	2x11440lm	2x12100lm	2x12100lm	2x66.0W	2x68.2W
R70S2.DM.CCC.xx-23.G	3267 mm	-	n.a.***	2x11960lm	2x12650lm	n.a.***	2x69.0W	2x71.3W
R70S2.DM.CCC.xx-24.G	3405 mm	-	2x12060lm	2x12480lm	2x13200lm	2x13200lm	2x72.0W	2x74.4W
R70S2.DM.CCC.xx-25.G	3548 mm	1701+1843 mm	n.a.***	2x13000lm	2x13750lm	n.a.***	2x75.0W	2x77.5W
R70S2.DM.CCC.xx-26.G	3687 mm	1701+1982 mm	2x13065lm	2x13520lm	2x14300lm	2x14300lm	2x78.0W	2x80.6W
R70S2.DM.CCC.xx-27.G	3829 mm	1843+1982 mm	n.a.***	2x14040lm	2x14850lm	n.a.***	2x81.0W	2x83.7W
R70S2.DM.CCC.xx-28.G	3968 mm	1982+1982 mm	2x14070lm	2x14560lm	2x15400lm	2x15400lm	2x84.0W	2x86.8W
R70S2.DM.CCC.xx-29.G	4110 mm	1982+2125 mm	n.a.***	2x15080lm	2x15950lm	n.a.***	2x87.0W	2x89.9W
R70S2.DM.CCC.xx-30.G	4248 mm	1982+2262 mm	2x15075lm	2x15600lm	2x16500lm	2x16500lm	2x90.0W	2x93.0W
R70S2.DM.CCC.xx-31.G	4390 mm	2125+2262 mm	n.a.***	2x16120lm	2x17050lm	n.a.***	2x93.0W	2x96.1W
R70S2.DM.CCC.xx-32.G	4528 mm	2262+2262 mm	2x16080lm	2x16640lm	2x17600lm	2x17600lm	2x96.0W	2x99.2W
R70S2.DM.CCC.xx-33.G	4670 mm	2262+2405 mm	n.a.***	2x17160lm	2x18150lm	n.a.***	2x99.0W	2x102.3W
R70S2.DM.CCC.xx-34.G	4810 mm	2262+2544 mm	2x17085lm	2x17680lm	2x18700lm	2x18700lm	2x102.0W	2x105.4W
R70S2.DM.CCC.xx-35.G	4952 mm	2405+2544 mm	n.a.***	2x18200lm	2x19250lm	n.a.***	2x105.0W	2x108.5W
R70S2.DM.CCC.xx-36.G	5091 mm	2544+2544 mm	2x18090lm	2x18720lm	2x19800lm	2x19800lm	2x108.0W	2x111.6W
R70S2.DM.CCC.xx-37.G	5233 mm	2544+2686 mm	n.a.***	2x19240lm	2x20350lm	n.a.***	2x111.0W	2x114.7W
R70S2.DM.CCC.xx-38.G	5371 mm	2544+2824 mm	2x19095lm	2x19760lm	2x20900lm	2x20900lm	2x114.0W	2x117.8W
R70S2.DM.CCC.xx-39.G	5513 mm	2544+2966 mm	n.a.***	2x20280lm	2x21450lm	n.a.***	2x117.0W	2x120.9W
R70S2.DM.CCC.xx-40.G	5653 mm	2544+3105 mm	2x20100lm	2x20800lm	2x22000lm	2x22000lm	2x120.0W	2x124.0W
R70S2.DM.CCC.xx-41.G	5795 mm	2544+3248 mm	n.a.***	2x21320lm	2x22550lm	n.a.***	2x123.0W	2x127.1W
R70S2.DM.CCC.xx-42.G	5933 mm	2824+3105 mm	2x21105lm	2x21840lm	2x23100lm	2x23100lm	2x126.0W	2x130.2W
R70S2.DM.CCC.xx-43.G	6075 mm	2966+3105 mm	n.a.***	2x22360lm	2x23650lm	n.a.***	2x129.0W	2x133.3W
R70S2.DM.CCC.xx-44.G	6214 mm	3105+3105 mm	2x22110lm	2x22880lm	2x24200lm	2x24200lm	2x132.0W	2x136.4W
R70S2.DM.CCC.xx-45.G	6356 mm	3105+3248 mm	n.a.***	2x23400lm	2x24750lm	n.a.***	2x135.0W	2x139.5W
R70S2.DM.CCC.xx-46.G	6494 mm	3105+3385 mm	2x23115lm	2x23920lm	2x25300lm	2x25300lm	2x138.0W	2x142.6W
R70S2.DM.CCC.xx-47.G	6636 mm	3248+3385 mm	n.a.***	2x24440lm	2x25850lm	n.a.***	2x141.0W	2x145.7W
R70S2.DM.CCC.xx-48.G	6774 mm	3385+3385 mm	2x24120lm	2x24960lm	2x26400lm	2x26400lm	2x144.0W	2x148.8W

* Luminous flux mentioned is the flux of the LED modules. To know the luminous flux of the luminaire, please apply the light output ratios on page 337 or check www.doxis.be.

** Power mentioned is for LED module excl. driver. For Tunable White power consumption please check www.doxis.be. For more detailed information, please check www.doxis.be.

*** Not available. Our supplier, Philips, does not provide 140mm LED modules in 2700K and Tunable White.

Article number structure: **R70S2.DM.CCC.xx-00**

- 24: Non dimmable
- 25: 1-10V dimmable
- 26: Touch & DALI dim

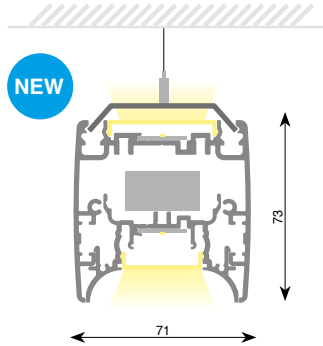
- 830: Ra80 - 3000K
 - 840: Ra80 - 4000K
 - 927: Ra90 - 2700K
 - 930: Ra90 - 3000K
 - 940: Ra90 - 4000K
 - TW: Tunable white 2700K-6500K
- 927 & TW available in limited lengths

- 01: White Matt Texture
- 03: Black Matt Texture
- 05: White + Black Text.
- 18: Grey 9006 Matt Text.
- 28: Grey + Black Matt Text.
- 07: Anthracite Matt Text.
- 25: Smoked Brown Matt Text.

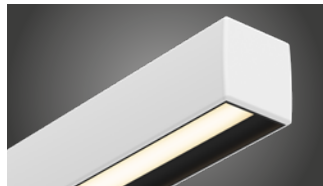
- 16: Gold incl. gold grid
 - 11: Black + Gold
 - 32: Gold + Black
 - 12: White + Gold incl gold grid
- Other colors on request (see page 333)

Ready To Go LEDliner70

Opal Cover
Up&Down - Suspended
Double Circuit



Average weight of equipped profile: 4.3 kg/m



!!! Important notice regarding
Double Circuit dimming on page 342.

Included

- Profile
- End Caps
- LED Modules
- PC cover down
- Opal cover up
- Standard Suspension (2000mm)
- Connecting box
- Textile power cable (2000mm)



Article number	Total length	Connected profile lengths excl. end caps	LED Flux* 927	LED Flux* 830 & 930	LED Flux* 840 & 940	LED Flux* Tunable White 2700-6500K	Power** 830 & 840	Power** 927, 930 & 940
R70S2.DM.CCC.xx-05	740 mm	-	n.a.***	2x3120lm	2x3300lm	n.a.***	2x15.0W	2x15.5W
R70S2.DM.CCC.xx-06	879 mm	-	2x3015lm	2x3120lm	2x3300lm	2x3300lm	2x18.0W	2x18.6W
R70S2.DM.CCC.xx-07	1021 mm	-	n.a.***	2x3640lm	2x3850lm	n.a.***	2x21.0W	2x21.7W
R70S2.DM.CCC.xx-08	1159 mm	-	2x4020lm	2x4160lm	2x4400lm	2x4400lm	2x24.0W	2x24.8W
R70S2.DM.CCC.xx-09	1301 mm	-	n.a.***	2x4680lm	2x4950lm	n.a.***	2x27.0W	2x27.9W
R70S2.DM.CCC.xx-10	1441 mm	-	2x5025lm	2x5200lm	2x5500lm	2x5500lm	2x30.0W	2x31.0W
R70S2.DM.CCC.xx-11	1583 mm	-	n.a.***	2x5720lm	2x6050lm	n.a.***	2x33.0W	2x34.1W
R70S2.DM.CCC.xx-12	1721 mm	-	2x6030lm	2x6240lm	2x6600lm	2x6600lm	2x36.0W	2x37.2W
R70S2.DM.CCC.xx-13	1863 mm	-	n.a.***	2x6760lm	2x7150lm	n.a.***	2x39.0W	2x40.3W
R70S2.DM.CCC.xx-14	2002 mm	-	2x7035lm	2x7280lm	2x7700lm	2x7700lm	2x42.0W	2x43.4W
R70S2.DM.CCC.xx-15	2144 mm	-	n.a.***	2x7800lm	2x8250lm	n.a.***	2x45.0W	2x46.5W
R70S2.DM.CCC.xx-16	2282 mm	-	2x8040lm	2x8320lm	2x8800lm	2x8800lm	2x48.0W	2x49.6W
R70S2.DM.CCC.xx-17	2424 mm	-	n.a.***	2x8840lm	2x9350lm	n.a.***	2x51.0W	2x52.7W
R70S2.DM.CCC.xx-18	2564 mm	-	2x9045lm	2x9360lm	2x9900lm	2x9900lm	2x54.0W	2x55.8W
R70S2.DM.CCC.xx-19	2706 mm	-	n.a.***	2x9880lm	2x10450lm	n.a.***	2x57.0W	2x58.9W
R70S2.DM.CCC.xx-20	2844 mm	-	2x10050lm	2x10400lm	2x11000lm	2x11000lm	2x60.0W	2x62.0W
R70S2.DM.CCC.xx-21	2986 mm	-	n.a.***	2x10920lm	2x11550lm	n.a.***	2x63.0W	2x65.1W
R70S2.DM.CCC.xx-22	3125 mm	-	2x11055lm	2x11440lm	2x12100lm	2x12100lm	2x66.0W	2x68.2W
R70S2.DM.CCC.xx-23	3267 mm	-	n.a.***	2x11960lm	2x12650lm	n.a.***	2x69.0W	2x71.3W
R70S2.DM.CCC.xx-24	3405 mm	-	2x12060lm	2x12480lm	2x13200lm	2x13200lm	2x72.0W	2x74.4W
R70S2.DM.CCC.xx-25	3548 mm	1701+1843 mm	n.a.***	2x13000lm	2x13750lm	n.a.***	2x75.0W	2x77.5W
R70S2.DM.CCC.xx-26	3687 mm	1701+1982 mm	2x13065lm	2x13520lm	2x14300lm	2x14300lm	2x78.0W	2x80.6W
R70S2.DM.CCC.xx-27	3829 mm	1843+1982 mm	n.a.***	2x14040lm	2x14850lm	n.a.***	2x81.0W	2x83.7W
R70S2.DM.CCC.xx-28	3968 mm	1982+1982 mm	2x14070lm	2x14560lm	2x15400lm	2x15400lm	2x84.0W	2x86.8W
R70S2.DM.CCC.xx-29	4110 mm	1982+2125 mm	n.a.***	2x15080lm	2x15950lm	n.a.***	2x87.0W	2x89.9W
R70S2.DM.CCC.xx-30	4248 mm	1982+2262 mm	2x15075lm	2x15600lm	2x16500lm	2x16500lm	2x90.0W	2x93.0W
R70S2.DM.CCC.xx-31	4390 mm	2125+2262 mm	n.a.***	2x16120lm	2x17050lm	n.a.***	2x93.0W	2x96.1W
R70S2.DM.CCC.xx-32	4528 mm	2262+2262 mm	2x16080lm	2x16640lm	2x17600lm	2x17600lm	2x96.0W	2x99.2W
R70S2.DM.CCC.xx-33	4670 mm	2262+2405 mm	n.a.***	2x17160lm	2x18150lm	n.a.***	2x99.0W	2x102.3W
R70S2.DM.CCC.xx-34	4810 mm	2262+2544 mm	2x17085lm	2x17680lm	2x18700lm	2x18700lm	2x102.0W	2x105.4W
R70S2.DM.CCC.xx-35	4952 mm	2405+2544 mm	n.a.***	2x18200lm	2x19250lm	n.a.***	2x105.0W	2x108.5W
R70S2.DM.CCC.xx-36	5091 mm	2544+2544 mm	2x18090lm	2x18720lm	2x19800lm	2x19800lm	2x108.0W	2x111.6W
R70S2.DM.CCC.xx-37	5233 mm	2544+2686 mm	n.a.***	2x19240lm	2x20350lm	n.a.***	2x111.0W	2x114.7W
R70S2.DM.CCC.xx-38	5371 mm	2544+2824 mm	2x19095lm	2x19760lm	2x20900lm	2x20900lm	2x114.0W	2x117.8W
R70S2.DM.CCC.xx-39	5513 mm	2544+2966 mm	n.a.***	2x20280lm	2x21450lm	n.a.***	2x117.0W	2x120.9W
R70S2.DM.CCC.xx-40	5653 mm	2544+3105 mm	2x20100lm	2x20800lm	2x22000lm	2x22000lm	2x120.0W	2x124.0W
R70S2.DM.CCC.xx-41	5795 mm	2544+3248 mm	n.a.***	2x21320lm	2x22550lm	n.a.***	2x123.0W	2x127.1W
R70S2.DM.CCC.xx-42	5933 mm	2824+3105 mm	2x21105lm	2x21840lm	2x23100lm	2x23100lm	2x126.0W	2x130.2W
R70S2.DM.CCC.xx-43	6075 mm	2966+3105 mm	n.a.***	2x22360lm	2x23650lm	n.a.***	2x129.0W	2x133.3W
R70S2.DM.CCC.xx-44	6214 mm	3105+3105 mm	2x22110lm	2x22880lm	2x24200lm	2x24200lm	2x132.0W	2x136.4W
R70S2.DM.CCC.xx-45	6356 mm	3105+3248 mm	n.a.***	2x23400lm	2x24750lm	n.a.***	2x135.0W	2x139.5W
R70S2.DM.CCC.xx-46	6494 mm	3105+3385 mm	2x23115lm	2x23920lm	2x25300lm	2x25300lm	2x138.0W	2x142.6W
R70S2.DM.CCC.xx-47	6636 mm	3248+3385 mm	n.a.***	2x24440lm	2x25850lm	n.a.***	2x141.0W	2x145.7W
R70S2.DM.CCC.xx-48	6774 mm	3385+3385 mm	2x24120lm	2x24960lm	2x26400lm	2x26400lm	2x144.0W	2x148.8W

* Luminous flux mentioned is the flux of the LED modules. To know the luminous flux of the luminaire, please apply the light output ratios on page 337 or check www.doxis.be.

** Power mentioned is for LED module excl. driver. For Tunable White power consumption please check www.doxis.be. For more detailed information, please check www.doxis.be.

*** Not available. Our supplier, Philips, does not provide 140mm LED modules in 2700K and Tunable White.

Article number structure: **R70S2.DM.CCC.xx-00**

- 24: Non dimmable
- 25: 1-10V dimmable
- 26: Touch & DALI dim

- 830: Ra80 - 3000K
- 840: Ra80 - 4000K
- 927: Ra90 - 2700K
- 930: Ra90 - 3000K
- 940: Ra90 - 4000K
- TW: Tunable white 2700K-6500K
- 927 & TW available in limited lengths

- 01: White Matt Texture
- 03: Black Matt Texture
- 05: White + Black Text.
- 18: Grey 9006 Matt Text.
- 28: Grey + Black Matt Text.
- 07: Anthracite Matt Text.
- 25: Smoked Brown Matt Text.

- 16: Gold incl. gold grid
- 11: Black + Gold
- 32: Gold + Black
- 12: White + Gold incl gold grid
- Other colors on request (see page 333)